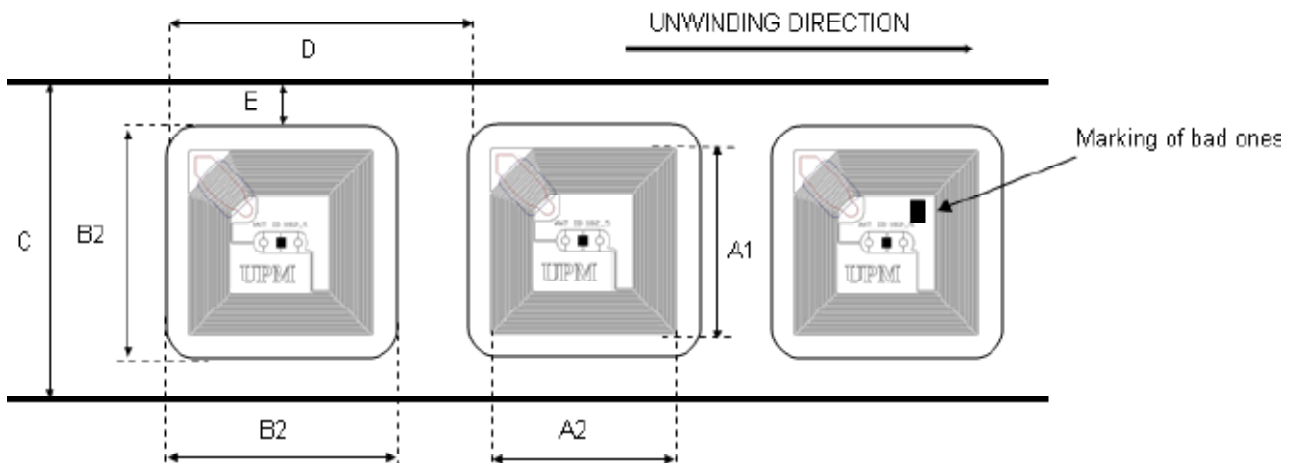




18 x 18 mm Paper Tag  
ISO 15 693  
NXP ICode SLI  
Sales code 3001060

**Mechanical dimensions**

A1 x A2	Coil size	15 x 15 mm	± 0,5 mm	0,591 x 0,591 in
B1 x B2	Die-cut size	18 x 18 mm	± 0,2 mm	0,709 x 0,709 in
C	Web width	24 mm	± 0,5 mm	0,945 in
D	Pitch, length per piece MD	22 mm	± 1,5 mm	0,866 in
E	Die-cut to web edge	3 mm	± 1,5 mm	0,118 in
	Thickness of the IC	150 µm	± 10 %	
	Overall thickness of transponder package (excluding IC and siliconized paper)	191 µm	± 10 %	
	Thickness of the siliconized paper	56 µm	± 5 %	
	Marking of bad ones	5 x 3 mm		0,197 x 0,118 in



**Electrical characteristics**

Integrated Circuit (IC)	NXP ICode SLI
IC's protocol	ISO 15 693
Operation frequency	13,56 MHz
Unloaded resonance frequency	14,00 MHz ± 0,35 MHz
Memory	1k bit R/W EEPROM

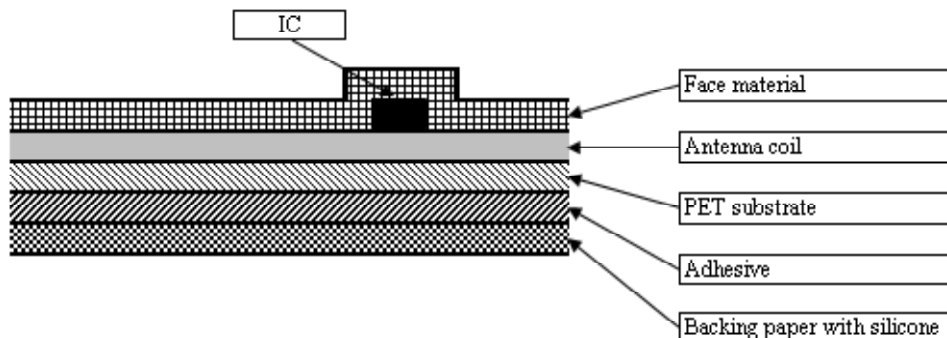
### General characteristics of transponder

Operating temperature (electronics parts)	-25 °C / +85 °C	-13 °F / 185 °F
ESD voltage immunity	± 2 kV peak HBM	
Shelf life: From the date of manufacture 2 years in	+20 °C, 50 % RH	68 °F, 50 % RH
Bending diameter (D)	> 50 mm, tension less than 10 N	
Static pressure (P)	< 10 MPa (10 N/mm <sup>2</sup> )	

### Delivery form

Transponder format	Die-cut	
Transponder face material	Opaque Matt Paper 79	
Transponder backing material	Siliconized Paper 56	
Transponder antenna material	Copper	
Transponder adhesive	RA-4	
- labelling temperature	min. +5 °C	min. 41 °F
- usage temperature	-10 °C - 90 °C	14 °F - 194 °F
- peel	min. 10 N / 25 mm (FTM 1)	
Final inspection	100 %, known faulty ones marked	
Minimum delivery yield	95 %	
Reel label	Reel number, product number, quantity of passed tags, prod. order number, yield and date	
Printability	Flexography and TTR with selected ribbons. Do not print over IC area	

### Structure



### Delivery details

Appearance	Single row reel form
Reel core	Paper core inner diameter 76 mm (3 in)
Transponder alignment	Chip at rear of transponder
Winding of the reel	Face out
Reel size	5000 pcs/reel

### Disclaimer:

UPM Raflatac reserves the right to change its products and services at any time without notice. Our recommendations are based on our best knowledge and experience. As the products are used outside our control we cannot take responsibility for any damage that may be caused when using the product. Use extra care in handling the product.

This technical specification replaces all earlier ones.

Version	1
Update date	16 December 2008
Author	UPM Raflatac, RFID / Emilia Saarentola
Approved	UPM Raflatac, RFID / Kirsi Kervinen